

OSPW+ EVO

Fully redesigned cage with latest Ridea Forged Carbon technology. Increased thickness in critical areas for better resistance with reduced weight when compared with previous generation.

Forged Carbon by Ridea

Ridea is a world leader in forged carbon composites. Thanks to Ridea's technology leadership, Forged Carbon technology is now present in our internationally awarded 6CBB series of bottom brackets, while the new OSPW+ EVO series is made almost entirely of this innovative material that allows us to create products that could only be dreamed of a few years ago.



Common materials in cycling industry

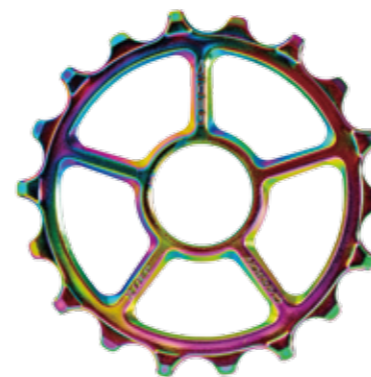
	Aluminum alloy	Plastic	Carbon fiber	Ridea's Forged Carbon
Vibration reduction	Poor	Very good	Good	Very good
Hardness	Very hard	Soft	Hard	Hard
Weathering resistance	Poor	Good	Coated surface: good Non-coated surface: poor	Good
Tensile strength	Good	Poor	Good	Good
Elasticity	Very poor	Acceptable	Good	Good
Wearing resistance	Acceptable	Poor	Coated surface: good Non-coated surface: poor	Good
Manufacturing tolerance	Good	Acceptable	Poor	Acceptable
Attainable shapes	Complex	Complex	Simple	Complex
Specific gravity (less is better)	2.7	0.8-1.1	1.4-1.5	1.4-1.5

PULLEY+ FORGED CARBON

Extremely hard, wear resistant, and light, our Forged Carbon composite is the best pulley material available for Oversized Pulley Wheel System. Optional 22t lower pulley for TT and triathlon for E60 series.

X-ODON NARROW WIDE TEETH

All OSPW+ EVO include narrow-wide teeth shape X-ODON. A series of different lengths, shapes and sliding angles for a smoother chain-pulley engagement.



Ti-cast

Ti-cast is an optional surface coating that increases the wearing resistance of our pulleys. It is ideal for harsh riding conditions and it also gives a nice color touch.

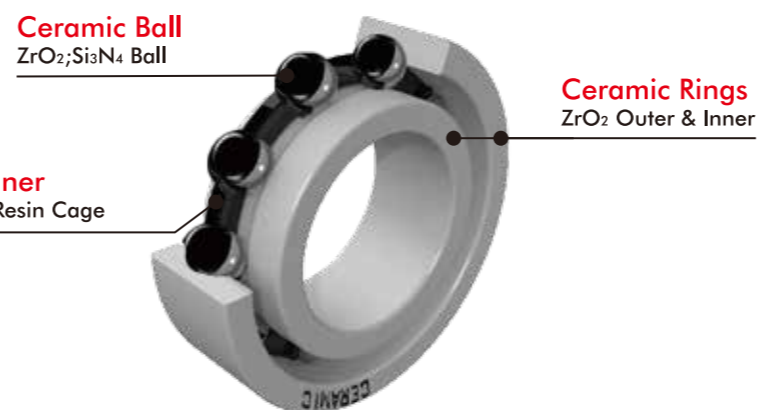
Ceramic bearings

OSPW+ EVO series is available with full ceramic or ceramic ball bearings with superb low rolling resistance. Cage design integrates the pulley bearing shields to save weight and to increase clearance between pulleys and cogs.

F FULL CERAMIC BEARING

Oil & Seal Free / Easy Cleaning / Super Smooth

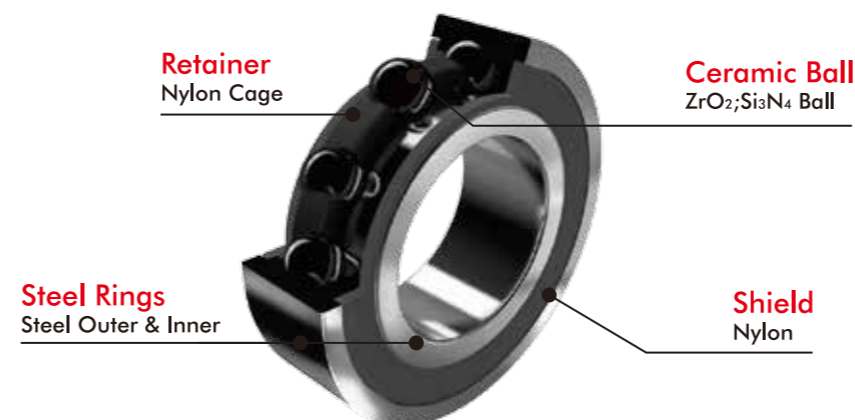
- » minimum rolling resistance
- » excellent chemical & corrosion resistance
- » easy maintenance
- » super durable



C CERAMIC BALL BEARING

Nylon Shield / Oil Maintenance / Smooth

- » good rolling resistance
- » good chemical & corrosion resistance
- » regular cleaning and oil maintenance required
- » super durable



OSPW+ EVO



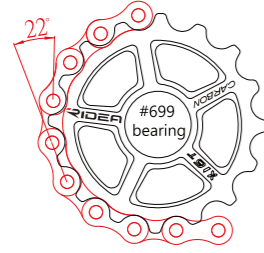
Details make the difference

OSPW+^{EVO}

OverSized Pulley Wheel System+ Evolution

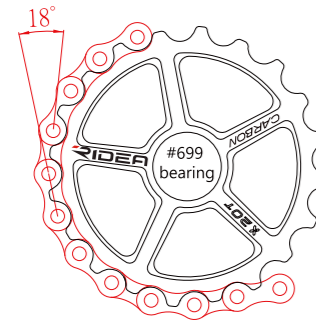
UPPER PULLEY 16T

M = 17.5g (3.5 links)
R = 3.25cm
I = 184.8 g/cm²



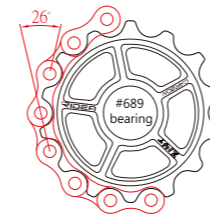
LOWER PULLEY 20T

M = 27.5g (5.5 links)
R = 4cm
I = 440 g/cm²



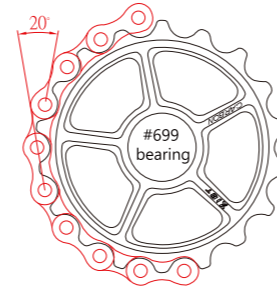
UPPER PULLEY 14T

M = 15g (3 links)
R = 2.82cm
I = 119.3 g/cm²



LOWER PULLEY 18T

M = 20g (4 links)
R = 3.63cm
I = 263.5 g/cm²

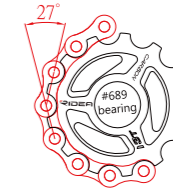


OSPW+^{Plus}

OverSized Pulley Wheel System Plus

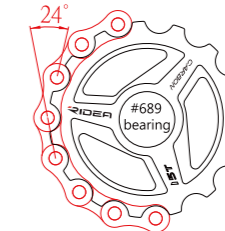
UPPER PULLEY 13T

M = 12.5g (2.5 links)
R = 2.6cm
I = 84.5 g/cm²



LOWER PULLEY 15T

M = 15g (3 links)
R = 2.9cm
I = 126 g/cm²



C60 EVO

Forged Carbon cage



ROAD BIKE

Brand	Series	Ridea model
SHIMANO	DURA-ACE ULTEGRA R91XX R80XX	RD6 E60
	DURA-ACE ULTEGRA 7900/90XX 6700/68XX	RD1 E60
	105 R70XX	RD7 E60
	105 TIAGRA 5700/5800 4600/4700	RD2 E60
SRAM	RED FORCE AXS	RD9 E60
	RED E-TAP	RD5 E60
CAMPAGNOLO	RED RIVAL FORCE APEX	RD3 E60
	Super Record / Record / Chorus	RD8 E60
	Super Record EPS / Record EPS	RD4 E60

inertia X7.1 MODERATE X-ODON

Pulley finish options

#RD□E60 F
Full ceramic bearing
Barcode label price

#RD□E60 F T3
Full ceramic bearing
Barcode label price

#RD□E60 F TR
Full ceramic bearing
Barcode label price

C48 EVO

Forged Carbon cage



MTB & CYCLOCROSS

Brand	Series	Ridea model
SHIMANO	12 speeds XTR M9100 XT M8100 SLX M7100	MD6 E48
	11 speeds XTR M9000 XT M8000 SLX M7000	MD1 E48
	10 speeds XTR M986 XT M786 SLX M675	MD2 E48
SRAM	1x12 Eagle MTB speeds 1x11 Road	MD3 E48
	1x11 speeds	MD4 E48
	2x11 speeds XX1 Eagle AXS X01 Eagle AXS	MD5 E48 MD7 E48

GRAVEL BIKE

Brand	Series	Ridea model
SHIMANO	ULTEGRA RX	CD1 E48
	GRX (RD-RX810)	CD2 E48
	GRX (RD-RX812/815/817)	MD1 E48
SRAM	1x11 Road FORCE 1 RIVAL 1 APEX 1	MD3 E48

inertia X4.34 MODERATE X-ODON

Pulley finish options

#□D□E48 F
Full ceramic bearing
Barcode label price

#□D□E48 F TR
Full ceramic bearing
Barcode label price

#□D□E48 C
Ceramic balls bearing
Barcode label price

#□D□E48 C TR
Ceramic balls bearing
Barcode label price

C35

3K Carbon cage



ROAD BIKE & MINI VELO

Brand	Series	Ridea model
SHIMANO	DURA-ACE ULTEGRA R91XX R80XX	RD6 C35
	DURA-ACE ULTEGRA 7900/90XX 6700/68XX	RD1 C35
	105 R70XX	RD7 C35
SRAM	105 TIAGRA 5700/5800 4600/4700	RD2 C35
	RED E-TAP	RD5 C35
CAMPAGNOLO	RED RIVAL FORCE APEX	RD3 C35
	Super Record / Record / Chorus Super Record EPS / Record EPS	RD4 C35

inertia X2.4 EASY

Pulley finish options

#RD□C35 F
Full ceramic bearing
Barcode label price

#RD□C35 C
Ceramic balls bearing
Barcode label price